

FnIO M – Series :

M319F

***M319F (16 Channels 18pt RTB, Current Input)
0~20mA / 4~20mA, 16bit***

Table of Contents

Table of Contents.....	2
History.....	3
1.ENVIRONMENT SPECIFICATION.....	4
2.M319F(16 CHANNELS CURRENT INPUT, 0~20mA/4~20mA, 16BIT).....	5
2.1.M319F Specification.....	5
2.2.M319F Wiring Diagram.....	6
2.3.M319F LED Indicator.....	7
2.3.1.LED Indicator.....	7
2.3.2.Channel Status LED.....	7
2.3.3.Data value / Current.....	8
2.4.Mapping data into the image table.....	9
2.5.Parameter Data.....	10

History

REV.	PAGES	REMARKS	DATE	Editor
-		Preliminary	Jan 17, 2020	BS HA
1.01		Image, UL Spec, Torque, Hotswap Function	2020/04/21	CW SEO
1.02		Vibration specification, Product certification changed	2020/04/27	CW SEO
1.03	12~16	Added ATEX certificate	2020/05/07	bs, HA

1. ENVIRONMENT SPECIFICATION

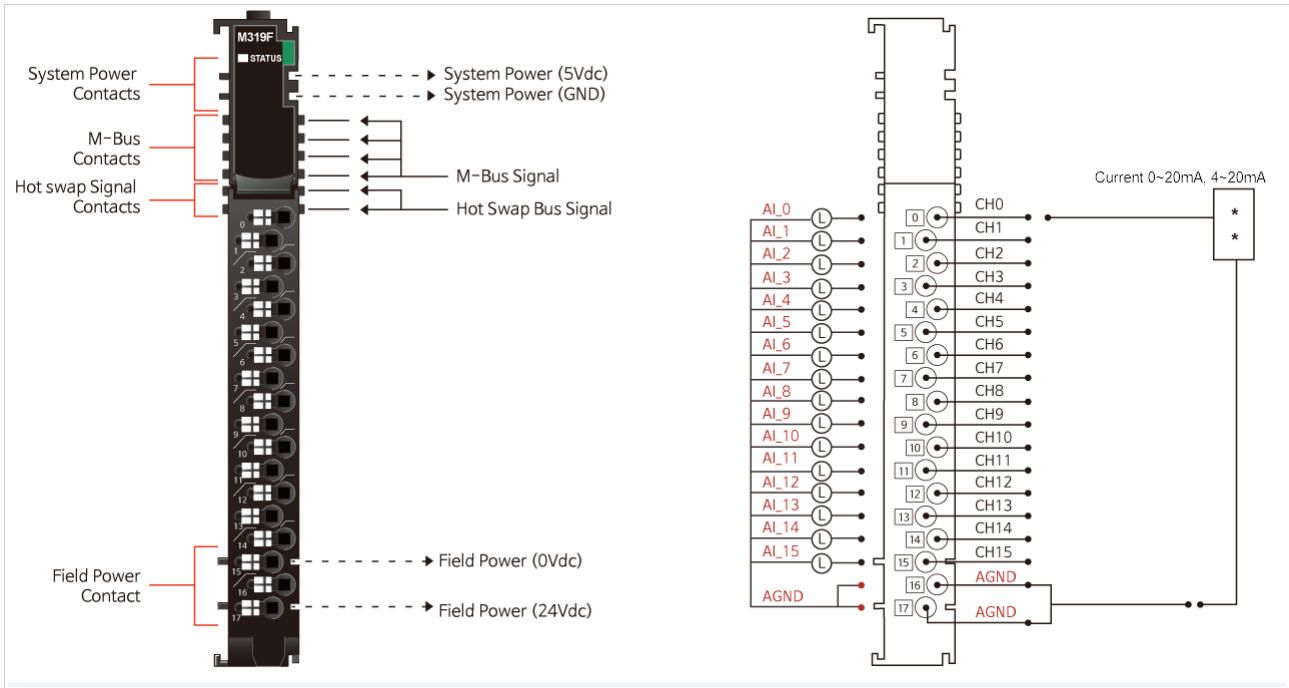
Environmental specification	
Operating Temperature	-25°C~60°C
UL Temperature	-20°C~60°C
Storage Temperature	-40°C~85°C
Relative Humidity	5% ~ 90% non-condensing
Mounting	DIN rail
General specification	
Shock Operating	IEC 60068-2-27
Vibration Resistance	Based on IEC 60068-2-6 DNVGL-CG-0039 : Vibration Class B, 4g
Industrial Emissions	EN 61000-6-4/A11 : 2011
Industrial Immunity	EN 61000-6-2 : 2005
Installation Position	Vertical and horizontal installation is available.
Product Certifications	CE, UL, FCC, ATEX, DNV

2. M319F(16 CHANNELS CURRENT INPUT, 0~20mA/4~20mA, 16BIT)

2.1. M319F Specification

Items	Specification
Input Specification	
Inputs per module	16 Channels single ended, non-isolated between channels
Indicators	1 Green M-BUS status LED
Resolution in Ranges	16 bit (Include Sign) 15 bits : 0.61uA/Bit(0~20mA), 0.49uA/Bit(4~20mA)
Input Range	0~20mA, 4~20mA
Data Format	16bits Integer (2' compliment)
Module Error	±0.1% Full Scale @ 25°C ambient ±0.3% Full Scale @ -25°C~60°C
Input Impedance	100Ω
Conversion Time	Max. 3.2msec (All channel)
Field calibration	Not Required
Common Type	2 Common
General Specification	
Power dissipation	Max. 200mA @ 5.0Vdc
Isolation	I/O to Logic : DC-DC Isolation Field power : Not Connected
Field Power	Not used Field power bypass to next expansion module
Single Wire	0.205mm ² - 1.3mm ² (24-16 AWG)
Torque	0.8Nm(7 lb-in)
Weight	72g
Module Size	12mm x 110mm x 75mm
Hot Swap	Possible
Environment Condition	Refer to '1. Environment Specification'

2.2. M319F Wiring Diagram



Pin No.	Signal Description
0	Input Channel 0
1	Input Channel 1
2	Input Channel 2
3	Input Channel 3
4	Input Channel 4
5	Input Channel 5
6	Input Channel 6
7	Input Channel 7
8	Input Channel 8
9	Input Channel 9
10	Input Channel 10
11	Input Channel 11
12	Input Channel 12
13	Input Channel 13
14	Input Channel 14
15	Input Channel 15
16	Input Channel Common(AGND)
17	Input Channel Common(AGND)

Series No	Through Air	Over Surface	CTI
RTB18C	1.5mm	1.5mm	175≤CTI≤400

Spacings : The following minimum spacing in inches(millimeters) shall be maintained between uninsulated live parts of opposite polarity; and between an uninsulated live part and a grounded Part including any mounting surface or exposed metal part.

2.3. M319F LED Indicator

2.3.1. LED Indicator



LED No.	LED Function / Description	LED Color
STATUS	Status LED	Green

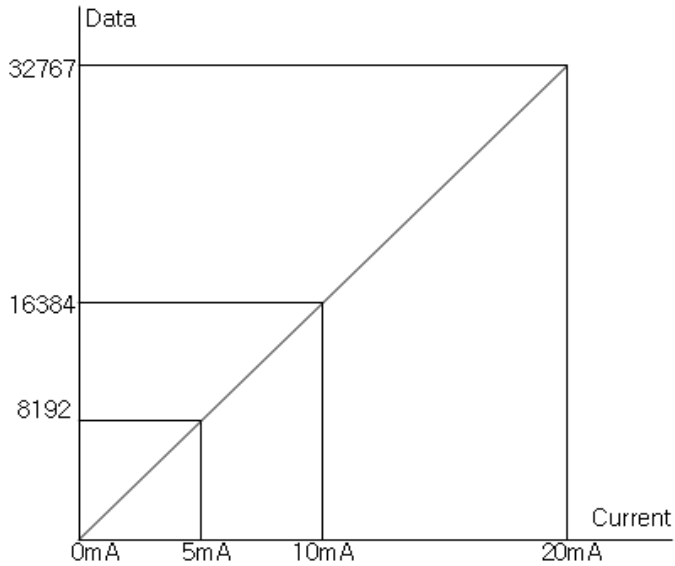
2.3.2. Channel Status LED

Status	LED	To indicate
M-bus Status	Off	Disconnection
	Green	Connection

2.3.3. Data value / Current

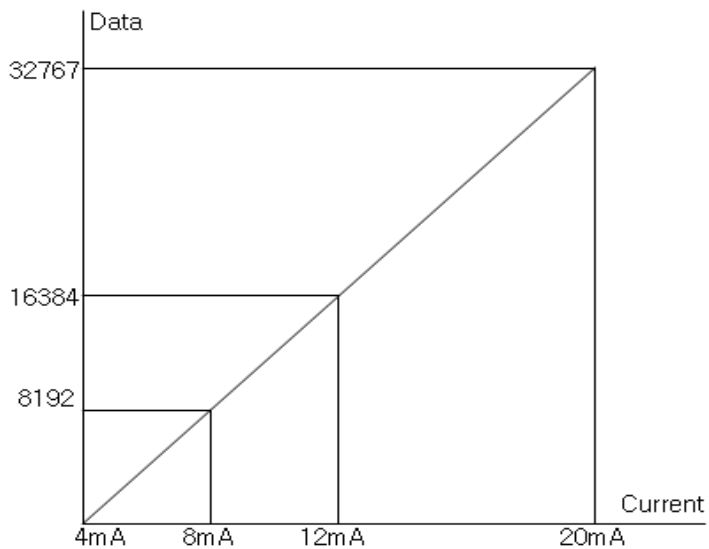
Current Range : 0~20mA

Current	0.0mA	5.0mA	10.0mA	20.0mA
Data(Hex)	H0000	H1FFF	H3FFF	H7FFF



Current Range : 4~20mA

Current	4.0mA	8.0mA	12.0mA	20.0mA
Data(Hex)	H0000	H1FFF	H3FFF	H7FFF



2.4. Mapping data into the image table

- **Input Module Data**

Analog Input Ch0
Analog Input Ch1
Analog Input Ch2
Analog Input Ch3
Analog Input Ch4
Analog Input Ch5
Analog Input Ch6
Analog Input Ch7
Analog Input Ch8
Analog Input Ch9
Analog Input Ch10
Analog Input Ch11
Analog Input Ch12
Analog Input Ch13
Analog Input Ch14
Analog Input Ch15



- **Input Image Value**

Bit No	Bit7	Bit6	Bit5	Bit4	Bit3	Bit2	Bit1	Bit0
Byte 0	Analog Input Ch0 Low byte							
Byte 1	Analog Input Ch0 High byte							
Byte 2	Analog Input Ch1 Low byte							
Byte 3	Analog Input Ch1 High byte							
Byte 4	Analog Input Ch2 Low byte							
Byte 5	Analog Input Ch2 High byte							
Byte 6	Analog Input Ch3 Low byte							
Byte 7	Analog Input Ch3 High byte							
Byte 8	Analog Input Ch4 Low byte							
Byte 9	Analog Input Ch4 High byte							
Byte 10	Analog Input Ch5 Low byte							
Byte 11	Analog Input Ch5 High byte							
Byte 12	Analog Input Ch6 Low byte							
Byte 13	Analog Input Ch6 High byte							
Byte 14	Analog Input Ch7 Low byte							
Byte 15	Analog Input Ch7 High byte							
Byte 16	Analog Input Ch8 Low byte							
Byte 17	Analog Input Ch8 High byte							
Byte 18	Analog Input Ch9 Low byte							
Byte 19	Analog Input Ch9 High byte							
Byte 20	Analog Input Ch10 Low byte							
Byte 21	Analog Input Ch10 High byte							
Byte 22	Analog Input Ch11 Low byte							
Byte 23	Analog Input Ch11 High byte							
Byte 24	Analog Input Ch12 Low byte							
Byte 25	Analog Input Ch12 High byte							
Byte 26	Analog Input Ch13 Low byte							
Byte 27	Analog Input Ch13 High byte							
Byte 28	Analog Input Ch14 Low byte							
Byte 29	Analog Input Ch14 High byte							
Byte 30	Analog Input Ch15 Low byte							
Byte 31	Analog Input Ch15 High byte							

2.5. Parameter Data

- Valid Parameter length: 18 Bytes
- Parameter Data

Bit No	Bit7	Bit6	Bit5	Bit4	Bit3	Bit2	Bit1	Bit0
Byte 0	Current Range for Channel 0 (H00: 0~20mA, H01: 4~20mA)							
Byte 1	Current Range for Channel 1 (H00: 0~20mA, H01: 4~20mA)							
Byte 2	Current Range for Channel 2 (H00: 0~20mA, H01: 4~20mA)							
Byte 3	Current Range for Channel 3 (H00: 0~20mA, H01: 4~20mA)							
Byte 4	Current Range for Channel 4 (H00: 0~20mA, H01: 4~20mA)							
Byte 5	Current Range for Channel 5 (H00: 0~20mA, H01: 4~20mA)							
Byte 6	Current Range for Channel 6 (H00: 0~20mA, H01: 4~20mA)							
Byte 7	Current Range for Channel 7 (H00: 0~20mA, H01: 4~20mA)							
Byte 8	Current Range for Channel 8 (H00: 0~20mA, H01: 4~20mA)							
Byte 9	Current Range for Channel 9 (H00: 0~20mA, H01: 4~20mA)							
Byte 10	Current Range for Channel 10 (H00: 0~20mA, H01: 4~20mA)							
Byte 11	Current Range for Channel 11 (H00: 0~20mA, H01: 4~20mA)							
Byte 12	Current Range for Channel 12 (H00: 0~20mA, H01: 4~20mA)							
Byte 13	Current Range for Channel 13 (H00: 0~20mA, H01: 4~20mA)							
Byte 14	Current Range for Channel 14 (H00: 0~20mA, H01: 4~20mA)							
Byte 15	Current Range for Channel 15 (H00: 0~20mA, H01: 4~20mA)							
Byte 16	Filter Time (H00: Default Filter(20) / H01: Fastest ~ / H3E: Slowest)							
Byte 17	Not used(=00)							